

Data Capture with Multiple ADS1244/45 Devices in Parallel

Jason Bridgmon

Data Acquisition Products

ABSTRACT

The ADS1244 and ADS1245 are excellent low-power, high-precision analog-to-digital converters (ADCs). Either device can be easily inserted into a single channel measurement system. When designing these ADCs into a multi-channel parallel measurement system, some care must be taken when creating the digital interface that communicates with the devices. This application note discusses several important considerations when using the ADS1244/45 devices in multi-channel parallel measurement systems.

1 Using Multiple ADS1244/45 Devices in Parallel

Figure 1 shows a generic, parallel, multi-channel measurement system design for the ADS1244/45. The ADS1244/45s provide a short pulse when data is ready. In a parallel measurement system, these pulses can be shifted up to 500 μ s apart from each other, despite the devices sharing the same clock signal. (See the *Multichannel Systems* section of the ADS1244 and the ADS1245 data sheets for further explanation.) In order to obtain synchronous measurements from ADS1244/45s that are configured in parallel, simply monitoring one DOUT pin for the *Data Ready Pulse* is not sufficient to start data capture from all linked devices simultaneously.

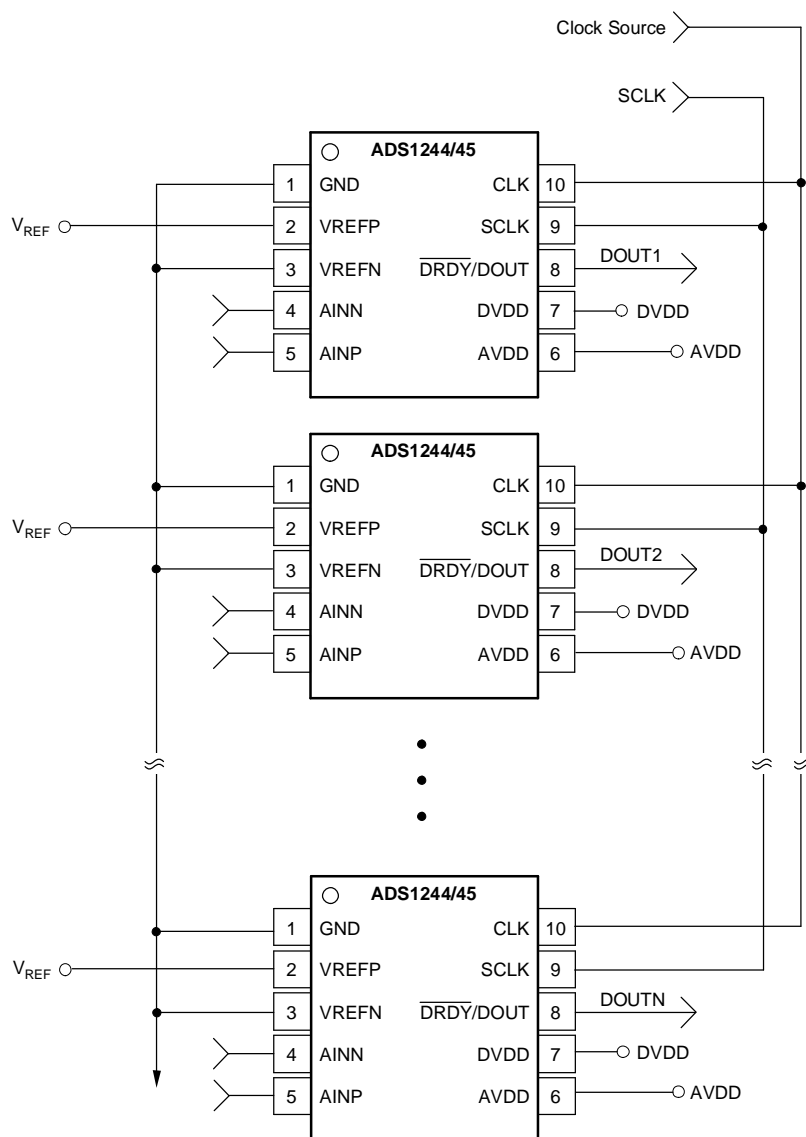


Figure 1. Standard Multi-Channel Configuration

The most convenient method for ensuring that all the parallel devices are synchronized is to shift in 25 SCLK pulses, which will shift out 24 bits of data on the DOUT pin and set DOUT high. At this point, monitor all the DOUT pins until they are all low; then, read the next data out. If input pins on the read-back device are available, an OR gate attached to the DOUT lines in parallel may make the software or firmware programming easier. (See Figure 2.)

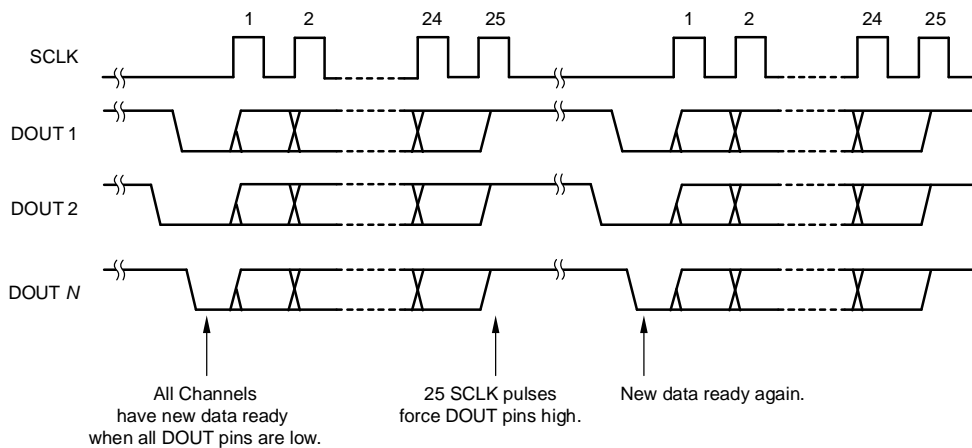


Figure 2. Read-Back Timing

2 Self-Calibration and Device Start-Up

The issue of start-up conditions must also be addressed. When the devices power-up and begin receiving clock pulses, self-calibration is performed if SCLK is low. DOUT then begins to indicate that data is ready. If SCLK is high at start-up, however, the ADS1244/45 enters into Sleep Mode and does not perform a self-calibration. (See Figure 3.)

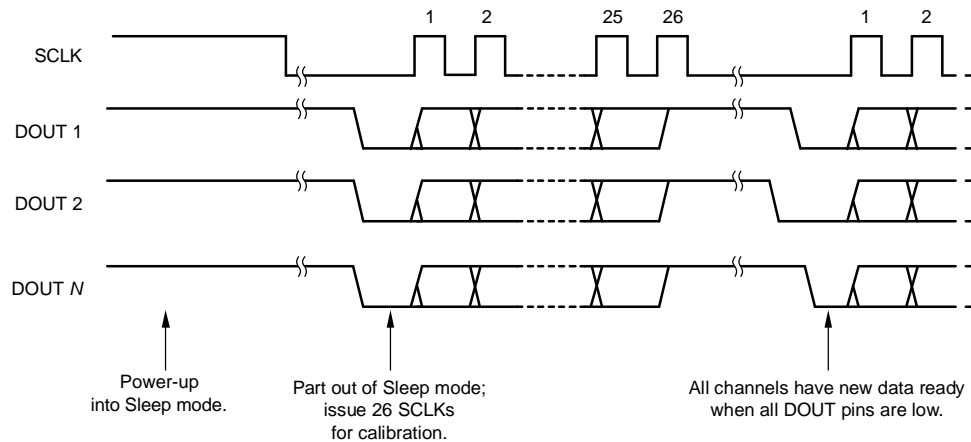


Figure 3. Power-Up Calibration Timing

There are numerous advantages to postponing the calibration and enabling start-up in Sleep Mode, in addition to easy parallel device control. If the board has a fast-ramping power supply and slow-ramping reference, or a reference with large capacitors that takes a long time to settle, then this method is particularly applicable and desirable, because the potential for error is greatly reduced.

Once a device has powered up into Sleep Mode, it is also convenient to use the same hardware-, firmware-, or software-detect circuitry for the initial calibration operation. When an ADS1244/45 is in Sleep Mode, take SCLK low, then wait for all the DOUT lines to also go low. At this point, shift in 26 SCLK pulses to initiate the calibration process.

The DOUT lines will immediately go high after the 25th SCLK pulse, if not already high, and will stay high until calibration is finished and the next data is ready. Follow the standard 25 SCLK pulse read-back technique discussed earlier to verify that each of the daisy-chained devices are read back in parallel.

3 Going Further

This parallel readback technique is also applicable to another member of the TI delta-sigma family, the ADS1224. This device has more features than the ADS1244/45, which may be more suited to particular applications. It uses the same 2-wire interface as the ADS1244, but the ADS1224 has a sample rate of 240SPS, which is considerably faster than the ADS1244. It has a pin-selectable high-impedance input buffer and an input multiplexer with four differential channels, for even more data channel support per chip. The ADS1224 also has an on-chip temperature sensor, which makes it well-suited for use in applications where temperature drift and calibration are particular concerns.

4 References

ADS1224 Datasheet (SBAS286A)

ADS1244 Datasheet (SBAS273)

ADS1245 Datasheet (SBAS287A)

To obtain a copy of the referenced documents, visit the Texas Instruments web site at www.ti.com. x indicates the current revision letter for each document.

IMPORTANT NOTICE

Texas Instruments Incorporated and its subsidiaries (TI) reserve the right to make corrections, modifications, enhancements, improvements, and other changes to its products and services at any time and to discontinue any product or service without notice. Customers should obtain the latest relevant information before placing orders and should verify that such information is current and complete. All products are sold subject to TI's terms and conditions of sale supplied at the time of order acknowledgment.

TI warrants performance of its hardware products to the specifications applicable at the time of sale in accordance with TI's standard warranty. Testing and other quality control techniques are used to the extent TI deems necessary to support this warranty. Except where mandated by government requirements, testing of all parameters of each product is not necessarily performed.

TI assumes no liability for applications assistance or customer product design. Customers are responsible for their products and applications using TI components. To minimize the risks associated with customer products and applications, customers should provide adequate design and operating safeguards.

TI does not warrant or represent that any license, either express or implied, is granted under any TI patent right, copyright, mask work right, or other TI intellectual property right relating to any combination, machine, or process in which TI products or services are used. Information published by TI regarding third-party products or services does not constitute a license from TI to use such products or services or a warranty or endorsement thereof. Use of such information may require a license from a third party under the patents or other intellectual property of the third party, or a license from TI under the patents or other intellectual property of TI.

Reproduction of information in TI data books or data sheets is permissible only if reproduction is without alteration and is accompanied by all associated warranties, conditions, limitations, and notices. Reproduction of this information with alteration is an unfair and deceptive business practice. TI is not responsible or liable for such altered documentation.

Resale of TI products or services with statements different from or beyond the parameters stated by TI for that product or service voids all express and any implied warranties for the associated TI product or service and is an unfair and deceptive business practice. TI is not responsible or liable for any such statements.

Following are URLs where you can obtain information on other Texas Instruments products and application solutions:

Products		Applications	
Amplifiers	amplifier.ti.com	Audio	www.ti.com/audio
Data Converters	dataconverter.ti.com	Automotive	www.ti.com/automotive
DSP	dsp.ti.com	Broadband	www.ti.com/broadband
Interface	interface.ti.com	Digital Control	www.ti.com/digitalcontrol
Logic	logic.ti.com	Military	www.ti.com/military
Power Mgmt	power.ti.com	Optical Networking	www.ti.com/opticalnetwork
Microcontrollers	microcontroller.ti.com	Security	www.ti.com/security
		Telephony	www.ti.com/telephony
		Video & Imaging	www.ti.com/video
		Wireless	www.ti.com/wireless

Mailing Address: Texas Instruments
Post Office Box 655303 Dallas, Texas 75265