

Features

- Monolithic Field Programmable System Level Integrated Circuit (FPSLIC™)
 - AT40K SRAM-based FPGA with Embedded High-performance RISC AVR® Core, Extensive Data and Instruction SRAM and JTAG ICE
- 5,000 to 40,000 Gates of Patented SRAM-based AT40K FPGA with FreeRAM™
 - 2 - 18.4 Kbits of Distributed Single/Dual Port FPGA User SRAM
 - High-performance DSP Optimized FPGA Core Cell
 - Dynamically Reconfigurable In-System – FPGA Configuration Access Available On-chip from AVR Microcontroller Core to Support Cache Logic® Designs
 - Very Low Static and Dynamic Power Consumption – Ideal for Portable and Handheld Applications
- Patented AVR Enhanced RISC Architecture
 - 120+ Powerful Instructions – Most Single Clock Cycle Execution
 - High-performance Hardware Multiplier for DSP-based Systems
 - Approaching 1 MIPS per MHz Performance
 - C Code Optimized Architecture with 32 x 8 General-purpose Internal Registers
 - Low-power Idle, Power-save and Power-down Modes
 - 100 µA Standby and Typical 2-3 mA per MHz Active
- Up to 36 Kbytes of Dynamically Allocated Instruction and Data SRAM
 - Up to 16 Kbytes x 16 Internal 15 ns Instructions SRAM
 - Up to 16 Kbytes x 8 Internal 15 ns Data SRAM
- JTAG (IEEE std. 1149.1 Compliant) Interface
 - Extensive On-chip Debug Support
 - Limited Boundary-scan Capabilities According to the JTAG Standard (AVR Ports)
- AVR Fixed Peripherals
 - Industry-standard 2-wire Serial Interface
 - Two Programmable Serial UARTs
 - Two 8-bit Timer/Counters with Separate Prescaler and PWM
 - One 16-bit Timer/Counter with Separate Prescaler, Compare, Capture Modes and Dual 8-, 9- or 10-bit PWM
- Support for FPGA Custom Peripherals
 - AVR Peripheral Control – 16 Decoded AVR Address Lines Directly Accessible to FPGA
 - FPGA Macro Library of Custom Peripherals
- 16 FPGA Supplied Internal Interrupts to AVR
- Up to Four External Interrupts to AVR
- 8 Global FPGA Clocks
 - Two FPGA Clocks Driven from AVR Logic
 - FPGA Global Clock Access Available from FPGA Core
- Multiple Oscillator Circuits
 - Programmable Watchdog Timer with On-chip Oscillator
 - Oscillator to AVR Internal Clock Circuit
 - Software-selectable Clock Frequency
 - Oscillator to Timer/Counter for Real-time Clock
- V_{CC}: 3.0V - 3.6V
- 3.3V 33 MHz PCI-compliant FPGA I/O
 - 20 mA Sink/Source High-performance I/O Structures
 - All FPGA I/O Individually Programmable
- High-performance, Low-power 0.35µ CMOS Five-layer Metal Process
- State-of-the-art Integrated PC-based Software Suite including Co-verification
- 5V I/O Tolerant



FPSLIC™

**5K - 40K Gates
of AT40K FPGA
with 8-bit AVR®
Microcontroller,
up to 36K Bytes
of SRAM and
On-chip
JTAG ICE**

**AT94K Series
Field
Programmable
System Level
Integrated
Circuit**

Summary

Rev. 1138FS-FPSLI-06/02



Note: This is a summary document. A complete document is available on our web site at www.atmel.com.



Description

The AT94K Series FPSLIC family shown in Table 1 is a combination of the popular Atmel AT40K Series SRAM FPGAs and the high-performance Atmel AVR 8-bit RISC microcontroller with standard peripherals. Extensive data and instruction SRAM as well as device control and management logic are included on this monolithic device, fabricated on Atmel's 0.35 μ five-layer metal CMOS process.

The AT40K FPGA core is a fully 3.3V PCI-compliant, SRAM-based FPGA with distributed 10 ns programmable synchronous/asynchronous, dual-port/single-port SRAM, 8 global clocks, Cache Logic ability (partially or fully reconfigurable without loss of data) and 5,000 to 40,000 usable gates.

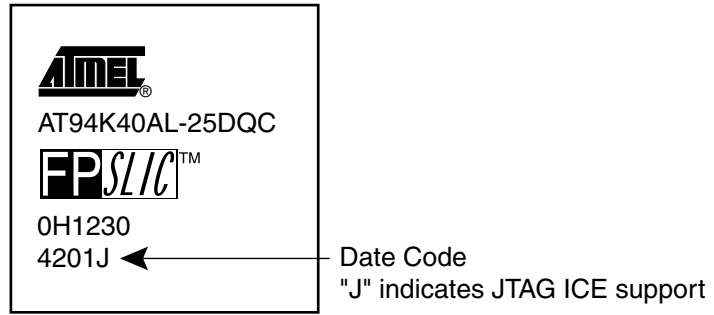
Table 1. The AT94K Series Characteristics

Device		AT94K05AL/AX	AT94K10AL/AX	AT94K40AL/AX
FPGA Gates		5K	10K	40K
FPGA Core Cells		256	576	2304
FPGA SRAM Bits		2048	4096	18432
FPGA Registers (Total)		436	846	2862
Maximum FPGA User I/O		96	144	288
AVR Programmable I/O Lines		8	16	16
Program SRAM		4 Kbytes - 16 Kbytes	20 Kbytes - 32 Kbytes	20 Kbytes - 32 Kbytes
Data SRAM		4 Kbytes - 16 Kbytes	4 Kbytes- 16 Kbytes	4 Kbytes - 16 Kbytes
Hardware Multiplier (8-bit)		Yes	Yes	Yes
2-wire Serial Interface		Yes	Yes	Yes
UARTs		2	2	2
Watchdog Timer		Yes	Yes	Yes
Timer/Counters		3	3	3
Real-time Clock		Yes	Yes	Yes
JTAG ICE		Yes ⁽¹⁾	Yes ⁽¹⁾	Yes ⁽¹⁾
Typical AVR throughput	@ 25 MHz	19 MIPS	19 MIPS	19 MIPS
	@ 40 MHz	30 MIPS	30 MIPS	30 MIPS
Operating Voltage ⁽²⁾	AL	3.0 - 3.6V ⁽²⁾	3.0 - 3.6V ⁽²⁾	3.0 - 3.6V ⁽²⁾
	AX	1.6 - 2.0V ⁽²⁾	1.6 - 2.0V ⁽²⁾	1.6 - 2.0V ⁽²⁾

- Notes:
1. FPSLIC parts with JTAG ICE support can be identified by the letter "J" after the device date code, e.g., 4201 (no ICE support) and 4201J (with ICE support), see Figure 1.
 2. FPSLIC devices should be laid out during PCB design to support a split power supply. Please refer to the "Designing in Split Power Supply Support for AT94KAL/AX and AT94SAL/AX Devices" application note, available on the Atmel web site at <http://www.atmel.com/atmel/acrobat/doc2308.pdf>.

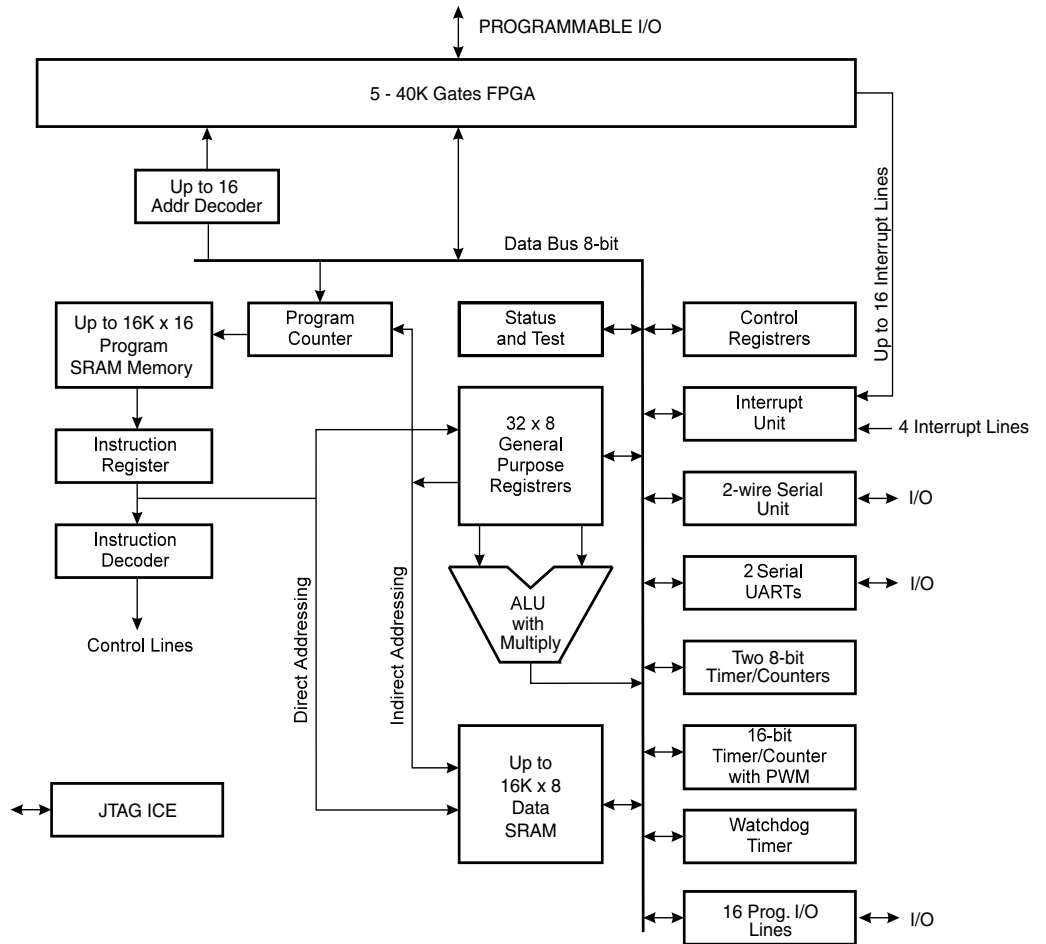
AT94K Series FPSLIC (Summary)

Figure 1. FPSLIC Device Date Code with JTAG ICE Support



The AT94K series architecture is shown in Figure 2.

Figure 2. AT94K Series Architecture





The embedded AVR core achieves throughputs approaching 1 MIPS per MHz by executing powerful instructions in a single-clock cycle, and allows system designers to optimize power consumption versus processing speed. The AVR core is based on an enhanced RISC architecture that combines a rich instruction set with 32 general-purpose working registers. All 32 registers are directly connected to the Arithmetic Logic Unit (ALU), allowing two independent registers to be accessed in one single instruction executed in one clock cycle. The resulting architecture is more code-efficient while achieving throughputs up to ten times faster than conventional CISC microcontrollers at the same clock frequency. The AVR executes out of on-chip SRAM. Both the FPGA configuration SRAM and the AVR instruction code SRAM can be automatically loaded at system power-up using Atmel's in-system programmable (ISP) AT17 Series EEPROM Configuration Memories.

State-of-the-art FPSLIC design tools, System Designer™, were developed in conjunction with the FPSLIC architecture to help reduce overall time-to-market by integrating microcontroller development and debug, FPGA development and Place and Route, and complete system co-verification in one easy-to-use software tool.

FPGA Core

The AT40K core can be used for high-performance designs, by implementing a variety of compute-intensive arithmetic functions. These include adaptive finite impulse response (FIR) filters, fast Fourier transforms (FFT), convolvers, interpolators, and discrete-cosine transforms (DCT) that are required for video compression and decompression, encryption, convolution and other multimedia applications.

Fast, Flexible and Efficient SRAM

The AT40K core offers a patented distributed 10 ns SRAM capability where the RAM can be used without losing logic resources. Multiple independent, synchronous or asynchronous, dual-port or single-port RAM functions (FIFO, scratch pad, etc.) can be created using Atmel's macro generator tool.

Fast, Efficient Array and Vector Multipliers

The AT40K cores patented 8-sided core cell with direct horizontal, vertical and diagonal cell-to-cell connections implements ultra-fast array multipliers without using any busing resources. The AT40K core's Cache Logic capability enables a large number of design coefficients and variables to be implemented in a very small amount of silicon, enabling vast improvement in system speed.

Cache Logic Design

The AT40K FPGA core is capable of implementing Cache Logic (dynamic full/partial logic reconfiguration, without loss of data, on-the-fly) for building adaptive logic and systems. As new logic functions are required, they can be loaded into the logic cache without losing the data already there or disrupting the operation of the rest of the chip; replacing or complementing the active logic. The AT40K FPGA core can act as a reconfigurable resource within the FPSLIC environment.

Automatic Component Generators

The AT40K is capable of implementing user-defined, automatically generated, macros; speed and functionality are unaffected by the macro orientation or density of the target device. This enables the fastest, most predictable and efficient FPGA design approach and minimizes design risk by reusing already proven functions. The Automatic Component Generators work seamlessly with industry-standard schematic and synthesis tools to create fast, efficient designs.

The patented AT40K architecture employs a symmetrical grid of small yet powerful cells connected to a flexible busing network. Independently controlled clocks and resets govern every column of four cells. The FPSLIC device is surrounded on three sides by programmable I/Os.

Core usable gate counts range from 5,000 to 40,000 gates and 436 to 2,864 registers. Pin locations are consistent throughout the FPSLIC family for easy design migration in the same package footprint.

The Atmel AT40K FPGA core architecture was developed to provide the highest levels of performance, functional density and design flexibility. The cells in the FPGA core array are small, efficient and can implement any pair of Boolean functions of (the same) three inputs or any single Boolean function of four inputs. The cell's small size leads to arrays with large numbers of cells. A simple, high-speed busing network provides fast, efficient communication over medium and long distances.

For a complete version of this datasheet, refer to the FPSLIC section of the Atmel web site, www.atmel.com.



Atmel Headquarters

Corporate Headquarters

2325 Orchard Parkway
San Jose, CA 95131
TEL 1(408) 441-0311
FAX 1(408) 487-2600

Europe

Atmel Sarl
Route des Arsenaux 41
Case Postale 80
CH-1705 Fribourg
Switzerland
TEL (41) 26-426-5555
FAX (41) 26-426-5500

Asia

Room 1219
Chinachem Golden Plaza
77 Mody Road Tsimhatsui
East Kowloon
Hong Kong
TEL (852) 2721-9778
FAX (852) 2722-1369

Japan

9F, Tonetsu Shinkawa Bldg.
1-24-8 Shinkawa
Chuo-ku, Tokyo 104-0033
Japan
TEL (81) 3-3523-3551
FAX (81) 3-3523-7581

Atmel Operations

Memory

2325 Orchard Parkway
San Jose, CA 95131
TEL 1(408) 441-0311
FAX 1(408) 436-4314

Microcontrollers

2325 Orchard Parkway
San Jose, CA 95131
TEL 1(408) 441-0311
FAX 1(408) 436-4314

La Chantrerie
BP 70602
44306 Nantes Cedex 3, France
TEL (33) 2-40-18-18-18
FAX (33) 2-40-18-19-60

ASIC/ASSP/Smart Cards

Zone Industrielle
13106 Rousset Cedex, France
TEL (33) 4-42-53-60-00
FAX (33) 4-42-53-60-01

1150 East Cheyenne Mtn. Blvd.
Colorado Springs, CO 80906
TEL 1(719) 576-3300
FAX 1(719) 540-1759

Scottish Enterprise Technology Park
Maxwell Building
East Kilbride G75 0QR, Scotland
TEL (44) 1355-803-000
FAX (44) 1355-242-743

RF/Automotive

Theresienstrasse 2
Postfach 3535
74025 Heilbronn, Germany
TEL (49) 71-31-67-0
FAX (49) 71-31-67-2340

1150 East Cheyenne Mtn. Blvd.
Colorado Springs, CO 80906
TEL 1(719) 576-3300
FAX 1(719) 540-1759

Biometrics/Imaging/Hi-Rel MPU/ High Speed Converters/RF Datacom

Avenue de Rochepleine
BP 123
38521 Saint-Egreve Cedex, France
TEL (33) 4-76-58-30-00
FAX (33) 4-76-58-34-80

Atmel Programmable SLI Hotline
(408) 436-4119

Atmel Programmable SLI e-mail
fpslic@atmel.com

FAQ
Available on web site

e-mail
literature@atmel.com

Web Site
<http://www.atmel.com>

© Atmel Corporation 2002.

Atmel Corporation makes no warranty for the use of its products, other than those expressly contained in the Company's standard warranty which is detailed in Atmel's Terms and Conditions located on the Company's web site. The Company assumes no responsibility for any errors which may appear in this document, reserves the right to change devices or specifications detailed herein at any time without notice, and does not make any commitment to update the information contained herein. No licenses to patents or other intellectual property of Atmel are granted by the Company in connection with the sale of Atmel products, expressly or by implication. Atmel's products are not authorized for use as critical components in life support devices or systems.

ATMEL®, AVR® and AVR Studio® are the registered trademarks of Atmel.

Microsoft®, Windows® and Windows NT® are the registered trademarks of Microsoft Corporation.

Other terms and product names may be the trademarks of others.



Printed on recycled paper.