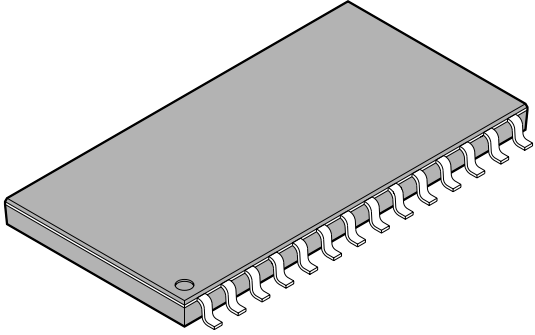
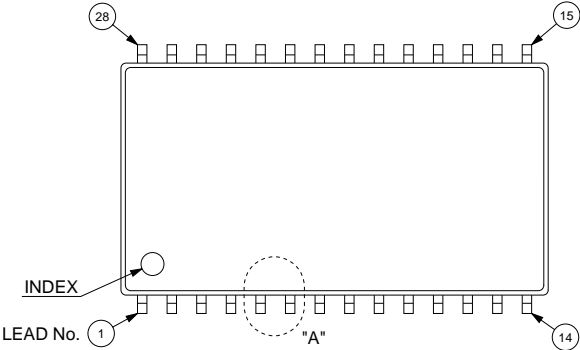


FPT-28P-M14

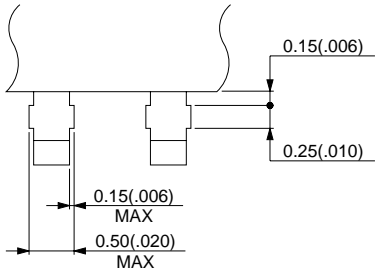
<p>28-pin plastic TSOP (II)</p>  <p>(FPT-28P-M14)</p>	Lead pitch	50 mil	
	Package width	400 mil	
	Lead shape	Gullwing	
	Sealing method	Plastic mold	

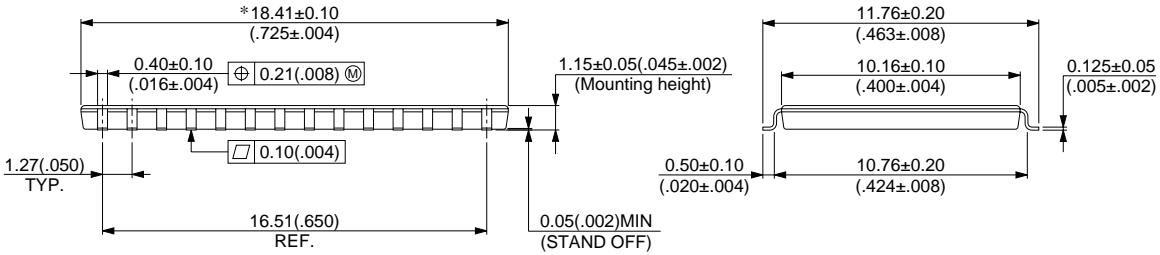
28-pin plastic TSOP (II)
(FPT-28P-M14)

* : Resin protrusion. (Each side : 0.15 (.006) Max)



Details of "A" part





© 1994 FUJITSU LIMITED F28040S-2C-1

Dimensions in mm (inches).

The contents of this document are subject to change without notice. Customers are advised to consult with FUJITSU sales representatives before ordering. FUJITSU is unable to assume responsibility for infringement of any patent rights or other rights of third parties arising from the use of the information or package dimensions in this document.